

# LED Table Lamp

**TL20610**  
INSTALLATION SHEET

## START FROM HERE

- Prepare everything in a clear area.
- Wear gloves at all times during this installation.
- Read instructions carefully before you start assembly.
- Keep this instruction sheet for future reference.

Technical Support: 1-855-855-8926

## Please Note:

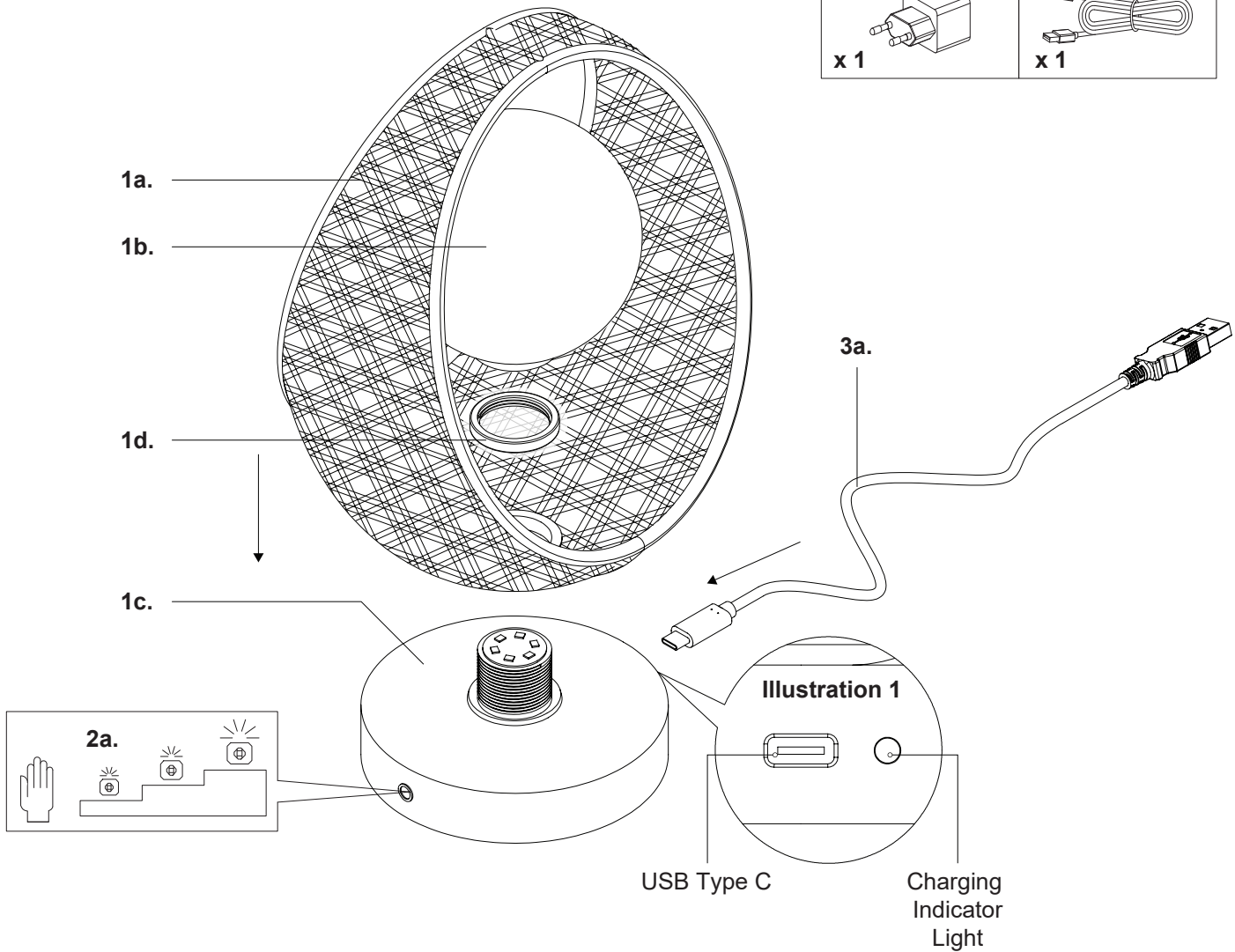
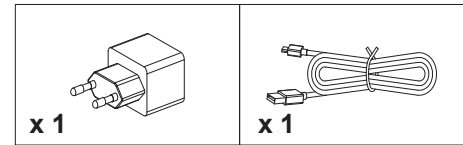
- This Kuzco LED fixture comes with pre-wired LED module(s)
- Unless instructed, Do Not touch any part of the LED module(s) as any unnecessary contact with the module could cause permanent damage
- 3-Step Touch Dimmer
- Please refer to the local regulation regarding proper disposal of batteries

1. Remove the fixture from its original packaging
2. Attach shade (1a) to base (1c), with ring (1d), followed by glass (1b) and secure by threading clockwise

Touch dimmer switch to turn on. Touch again to dim up, dim down the light (2a) or to turn off

4. For charging: Insert Type-C charger (3a) to base (1c) (See Illustration 1) and attach USB end to USB power plug and insert into outlet

## Included:



# KUZCO

19054 28th Avenue Surrey, BC Canada V3Z 6M3  
T: 604 538 7162 TF: 1-855 85 KUZCO F: 604 538 7196  
W: kuzcolighting.com  
20240109